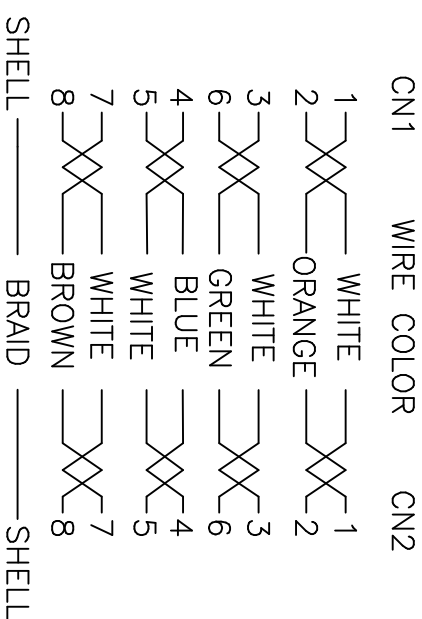


MATERIAL LIST:

NO.	PARTS NAME	SPECIFICATION DESCRIPTION
①	CABLE	S/FTP [26AWG(BC 7/0:148±0.005)*1PR+A]*4+B(AL-MG) +LSOH OD: 5.6±0.3mm COLOR: Assorted upon request
②	RJ45 CONNECTOR	RJ45, 8P8C, TWO FORK GOLD PLATED CONTACTS TRANSPARENT WITH METAL HOUSING
③	MOLDING PVC	MOLDING PVC 45P COLOR: Assorted upon request

Marking: HEM S/FTP CAT6 STRANDED 26AWG 4P LSOH PATCH ISO/IEC 11801 AND ANSI/TIA-568-C.2

PIN OUT



[www.hem-datenkabel.de](http://www.hem-datenkabel.de)

ELECTRONIC TEST:  
A.OPEN/SHORT/INTERMITTENCE: 100%

REMARK NO	CHA NO	SIGNATURE	DATE
DRAWN BY	Renzli		
CHECKED BY			
AUDITED BY			
CRAFT			

SIGN	SCALE	ITEM NO. (0655XXXXX)

S/FTP CAT6 26AWG LSOH