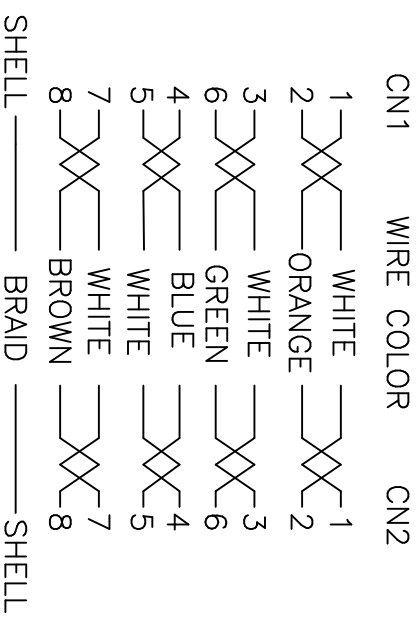


MATERIAL LIST:

NO.	PARTS NAME	SPECIFICATION DESCRIPTION
①	CABLE	S/FTP [26AWG(BC 7/0.148±0.005)*1PR+A]*4+B(AL-MG) +LSOH OD: 5.6±0.3mm COLOR: Assorted upon request
②	RJ45 CONNECTOR	RJ45,8P8C,TWO FORK GOLD PLATED CONTACTS TRANSPARENT WITH METAL HOUSING
③	MOLDING PVC	MOLDING PVC 45P COLOR: Assorted upon request

Marking: HEM S/FTP CAT6 STRANDED 26AWG 4P LSOH PATCH ISO/IEC 11801 AND ANSI/TIA-568-C.2

PIN OUT



www.hem-datenkabel.de

ELECTRONIC TEST:

A.OPEN/SHORT/INTERMITTENCE: 100%.

REMARK NO	CHANO	SIGNATURE	DATE	SIGN	WIT	SCALE	ITEM NO. (1655XXXXX)
DRAWN BY	Renzli						
CHECKED BY							
AUDITED BY		APPROVED BY					
CRAFT		DATE	2020.07.17				

PAGE OF

7

6

5

4

3

2

1