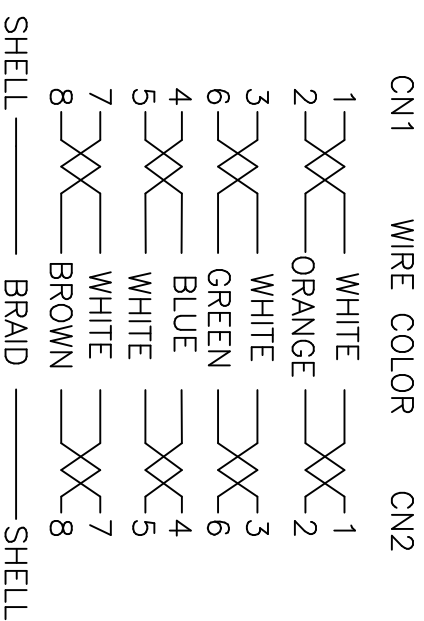


MATERIAL LIST:

NO.	PARTS NAME	SPECIFICATION DESCRIPTION
①	CABLE	S-/FTP [26AWG(BC 7/0.148±0.005)*1PR+A]*4+B(AL-MG)+LSOH OD: 5.8±0.3mm COLOR: Assorted upon request
②	RJ45 CONNECTOR	RJ45, 8P9C, TWO FORK 50u" GOLD PLATED CONTACTS TRANSPARENT WITH METAL HOUSING
③	MOLDING PVC	MOLDING PVC 45P COLOR: Assorted upon request

Marking: HEM S-/FTP CAT6A STRANDED 26AWG 4P LSOH IEC 60332.3 PATCH ISO/IEC 11801 AND ANSI/TIA-568-C.2 DELTA VERIFIED

PIN OUT



www.hem-datenkabel.de

S-/FTP CAT6A 26AWG LSOH

ELECTRONIC TEST:
 A.OPEN/SHORT/INTERMITTENCE: 100%
 B.ISO PATCH CORD CAT6A: 100%

REMARK NO	CHANG	SIGNATURE	DATE
	Renzli		
DRAWN BY			
CHECKED BY			
AUDITED BY			
CRAFT		DATE	2020.07.17

ITEM NO. (3755XXXXX)